

CAR RADIO BPA 1119 BT



Subject to availability and technical modification.



Sales Start
JUNE 2019

Order Number
2 001 019 000 000

EAN-Code
4 260 499 851 958

Highlights

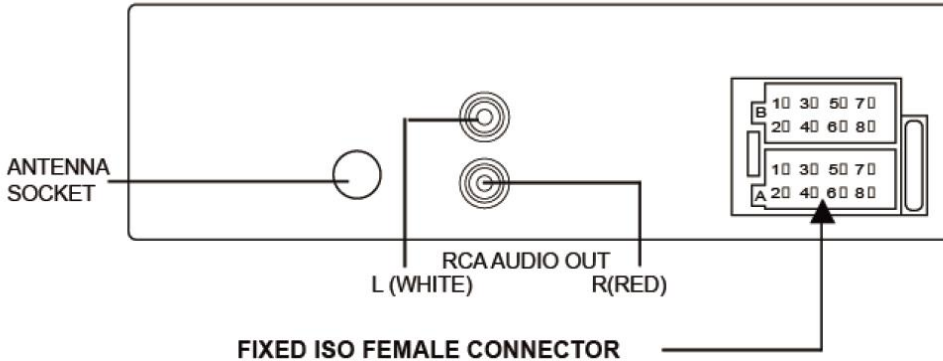
- FM (RDS), Tuner
- Radio frequency coverage FM 87.5 to 108.0 MHz
- Radio sensitivity (S/N=30 dB): 4 μ V
- Radio stereo separation >25 dB
- 18 preset memory station
- Data carrier: USB, SD
- Built-in Bluetooth (HFP, A2DP)
- Built-in microphone
- Front USB
- SD-card slot (on front)
- Front-Aux-in
- 4x20 Watt Max. output power
- Encoder volume control
- 2-channel RCA line-out
- Blue night design
- Power supply requirements: DC 12 V, ground
- Current drain: 5 ampere (max.)
- Fix-panel
- Short mounting depth
- Chassis dimensions: 178 (W) x 97 (D) x 50 (H)
- Fix type ISO connector
- User manual

Languages: French, Spanish, Italian, Polish, Hungarian, Czech, Greek, Turkish, Russian, Romanian, Bulgarian, Slovenian, Slovak

CAR RADIO BPA 1119 BT

2/2

WIRING DIAGRAM



FIXED ISO FEMALE CONNECTOR

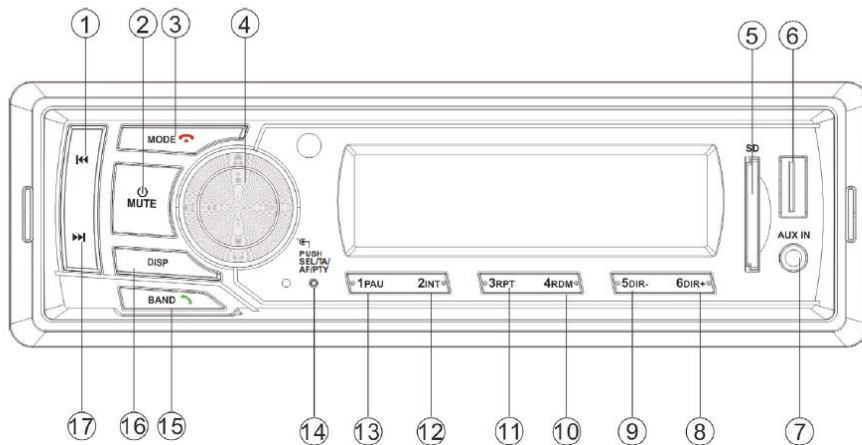
CONNECTOR A

- 1.
- 2.
- 3.
4. +12V CONSTANT POWER SUPPLY(yellow)
5. POWER ANTENNA(blue)
- 6.
7. +12V ACCESSORY/SWITCH(red)
8. GROUND(black)

CONNECTOR B

1. REAR RIGHT SPEAKER (+)(violet)
2. REAR RIGHT SPEAKER (-)(violet/black)
3. FRONT RIGHT SPEAKER (+)(gray)
4. FRONT RIGHT SPEAKER (-)(gray/black)
5. FRONT LEFT SPEAKER (+)(white)
6. FRONT LEFT SPEAKER (-)(white/black)
7. REAR LEFT SPEAKER (+)(green)
8. REAR LEFT SPEAKER (-)(green/black)

LOCATION OF CONTROLS



- | | | |
|-----------------------|-----------|--------------------|
| 1. | 7. AUX IN | 13. 1 PAU |
| 2. | 8. 6 DIR+ | 14. Reset function |
| 3. MODE / | 9. 5 DIR- | 15. BAND |
| 4. PUSH/SEL/TA/AF/PTY | 10. 4 RDM | 16. DISP |
| 5. SD interface | 11. 3 RPT | 17. |
| 6. USB interface | 12. 2 INT | |

Subject to availability and technical modification.